

Aerogam

Hygiene and performance
for large institutional kitchens.





CLEANABILITY
AND HYGIENE

A COMPLETE AND
TECHNOLOGICAL
SERIES ON LEGS
OR CANTILEVERED



MAIN ADVANTAGES OF AÉROGAM

- ♥ Hygiene
- ♥ Cleanability
- ♥ Technology

AERO
Gam

DIMENSIONS Module widths : 500,1000, 1500 and 2000 mm - deep :1000 mm - height : 900 mm

BRIEF SPECIFICATIONS OF COMPONENTS

GAS AND ELECTRIC COMPONENTS AND SAME AS PRO 1000

- Electric and gas components of the Aérogam series are the same as those of the Pro1000 series.
- All the gas appliances are fitted with electric ignition.

GAS AND ELECTRIC BRATT PANS

- Stainless steel tank with a 10 mm (55 dm²) and 12 mm (85 dm²) thick • built-in front pouring spout.
- double-walled stainless steel lid on stainless steel spring hinges with tubular insulated handle.
- Electric motor tilt.
- Pan tilt safety cut-out device.
- Gas heating through «multi-ramps» burner fitted with pilot light and flame failure safety ionization - thermostatic

control.

- Digital display
- Electric ignition
- Electric heating through elements controlled by electronic thermostat.
- Overheating safety cut-out device.
- Indicator.
- Mixer water tap with front electric control - tank-integrated drainage device

Appliances of the AEROGAM Series can be assembled with appliances of the PRO1000 Series if these latest are fitted with special feet in stainless steel ø 76.1 x 200 mm (+40/-00). (See section «ACCESSORIES».)



SPECIFICATION

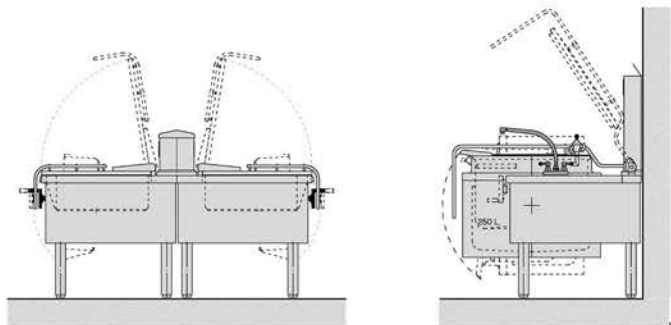
- ▼ Single seam welded AISI 304 stainless steel chassis, 1 to 3 mm thick,
- ▼ AISI 304 Stainless steel top 3 mm thick with 55 mm radius and return underside.
- ▼ Bridge units.
- ▼ AISI 304 Stainless steel front and side panels 1 mm thick ; assembly with no visible screws.
- ▼ Joining strips between the appliances.
- ▼ Recessed gas and electric controls on enamelled steel panels with control symbol markings
- ▼ AISI 304 stainless steel legs 400 mm, \varnothing 76,1 mm, with adjustable PVC feet (+10/-20).

CONFIGURATIONS

COOKING SUITES:

Independent units: 4 legs.

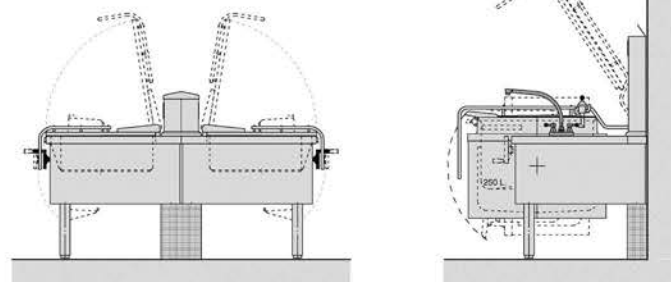
Cooking suites : legs at sides and junctions



APPLIANCES ON BOTH MASONRY PLINTH AND LEGS

Independent units : 2 front legs and 2 rear studs on masonry plinth.

Cooking suites : front legs and rear studs at sides and junctions.

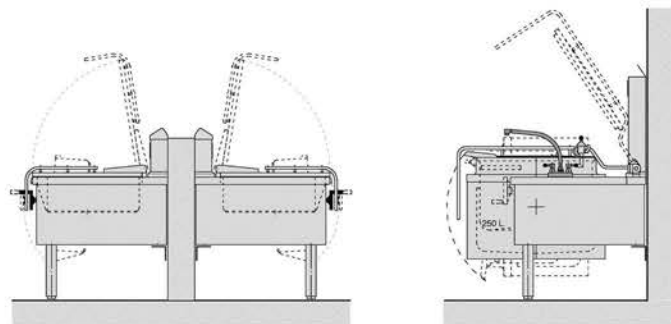


CANTILEVER APPLIANCES WITH REAR FIXINGS + LEGS

Rear fixings to be defined according to the support.

Lower rear stainless steel angle bar.

Front legs.



CANTILEVER APPLIANCES WITH REAR FIXINGS

Rear fixings to be defined according to the support.

Lower rear stainless steel angle bar.

